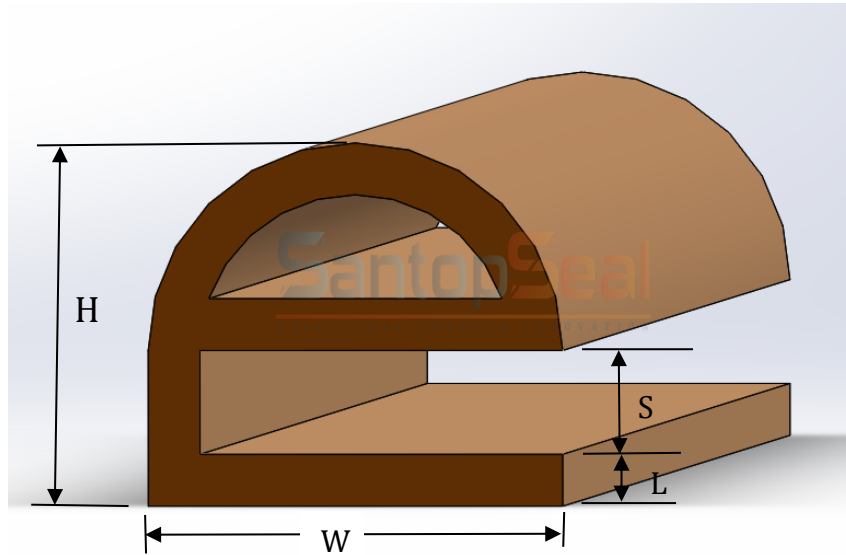


Note: All the Pictures are for reference only. SantopSeal can make it in any shape as per your requirements.



H = Height    W = Width  
 S = Slot Width    L = Leg thickness





